



SILENT WALL® ACOUSTICS BY WARWICK PRODUCTS

PRODUCT TECHNICAL DATA

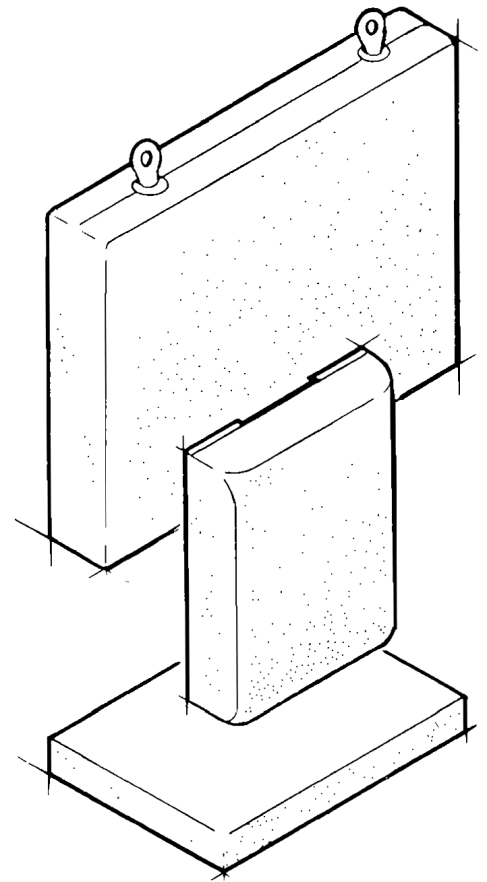
Acoustically functional. Aesthetically appealing.

MPC, Inc. manufactures Silent Wall® acoustical panels, tack surfaces, Quietile® ceiling inserts and baffles, all of which are designed to help drastically reduce distracting noise.

In addition to their sound-absorbing features, these products are especially suited for interior design purposes. Designs can range from reproductions of paintings, photos, graphics, or logotypes to our standard fabric or vinyl patterns and solids. We work closely with professional designers and are able to produce a large variety of custom panels to suit every décor.

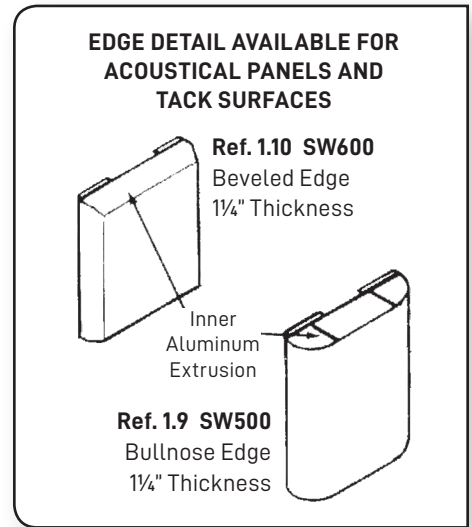
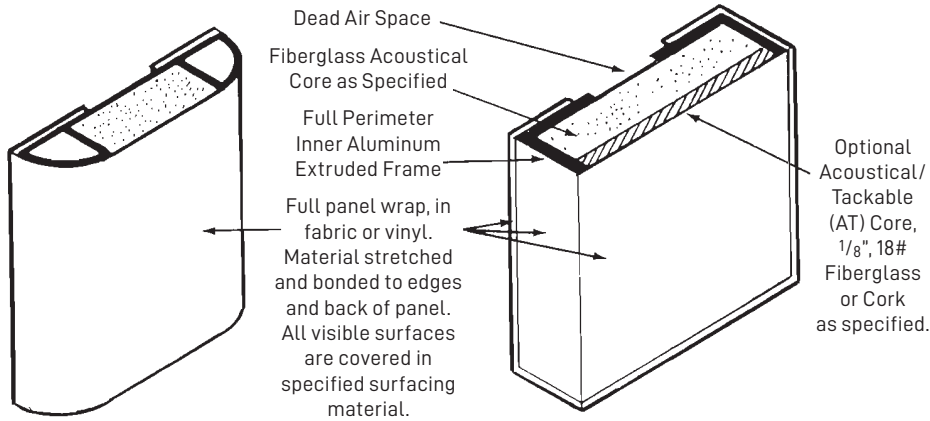
Silent Wall® can be applied to existing walls, including steel partitions and metal cabinetry (by using magnetic backing), to absorb reflected sound and add a more pleasing decorative element to the office design. Innovative application techniques allow Silent Wall® to be inserted in place of glass into partitions for acoustical control while permitting a greater degree of privacy.

The panels pictured inside represent a small sample of the unlimited design possibilities we can provide.



- | | |
|--|--|
| <input type="checkbox"/> SILENT WALL® PANELS | <input type="checkbox"/> PARTITION INSERTS |
| <input type="checkbox"/> BAFFLES | <input type="checkbox"/> MOVABLE WALLS |
| <input type="checkbox"/> QUIETILE® CEILING INSERTS | <input type="checkbox"/> SIGNAGE PANELS |
| <input type="checkbox"/> TACK SURFACES | <input type="checkbox"/> PROMOTIONAL TACKBOARDS |
| <input type="checkbox"/> CUSTOM WALL TREATMENT | <input type="checkbox"/> HOME THEATER ACOUSTICAL TREATMENT |

Silent Wall® Acoustical Panels



Square, beveled and bullnose panels available with aluminum extrusion 3/4", 1 1/4", 2", 2 1/4", 3", 3 1/2", 4", and custom.

Core Variations Available FOR ACOUSTICAL PANELS AND TACK SURFACES

REF. 1.0 TO 1.13 Fiberglass

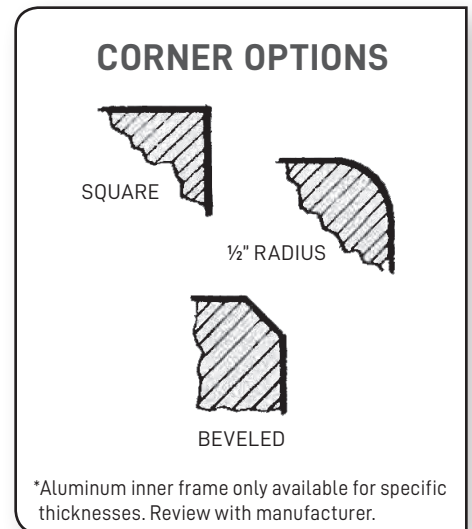
REF. 2.9 Acoustical/Tackable Core (Fiberglass with 1/8", 18# density tackable laminate core)

REF. 2.8 High-Density Tack Core or Cork

REF. 6.7 Foil, Polyfilm or Lead Backing or Septum

REF. 6.4 High-Impact Resistance Core • Reflective Core or Surface • Custom as Specified

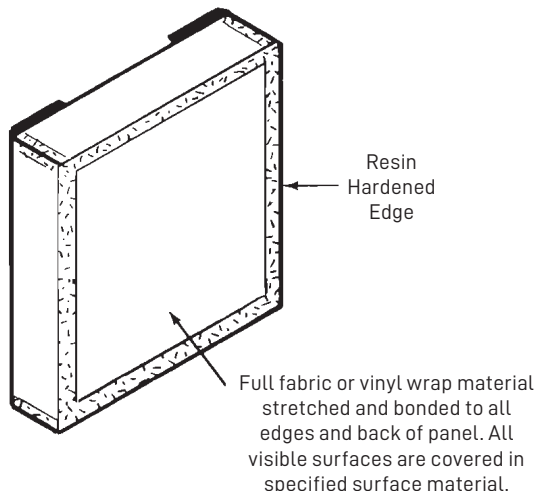
REF. 6.10 Custom Presentation Wall/ Teleconference Centers Enclosures • Sliding Wall Panels on Tracks • Enclosures • Partition Inserts



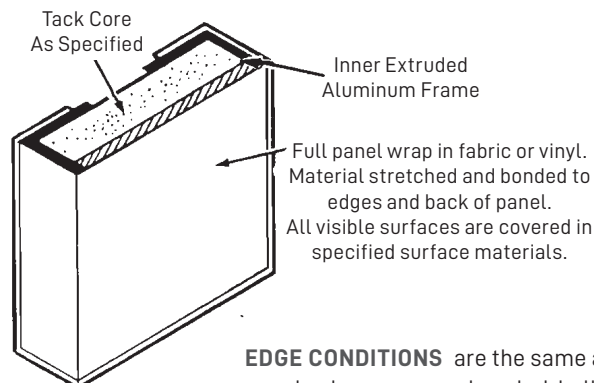
Basic Tack Surfaces

REF. 2.0 TO 2.9

REF. 2.1 1/2" thick resin hardened edge tack surface



REF. 2.5 3/4" thick tack surface with extruded aluminum inner frame



EDGE CONDITIONS are the same as detail for acoustical panels above: square, beveled, bullnose and custom.

CORNERS AVAILABLE square, 1/2" radius and custom.

THICKNESS AVAILABLE 3/4", 1 1/4", 2 1/4" and custom.

SPACE DIVIDERS AND CEILING BAFFLES

Acoustical Baffles and Signage

MADE TO YOUR SPECIFICATIONS

Baffle sizes from 6"x12" to 60"x144" as specified.

Custom shapes available for all types of panels.

Notches, cut-outs available for all types of panels.

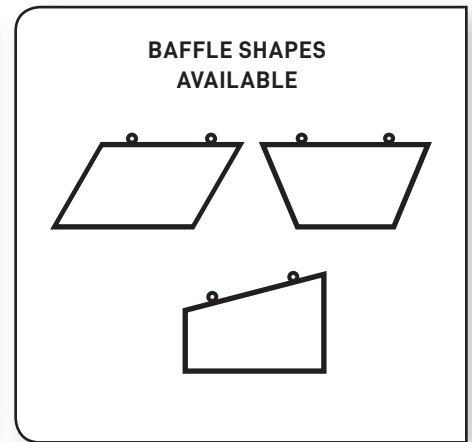
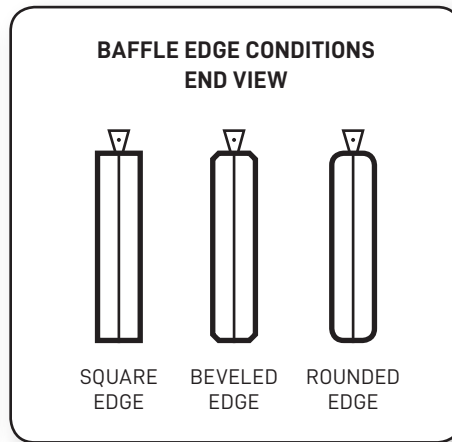
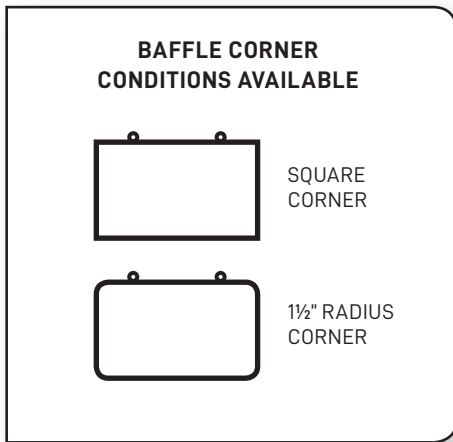
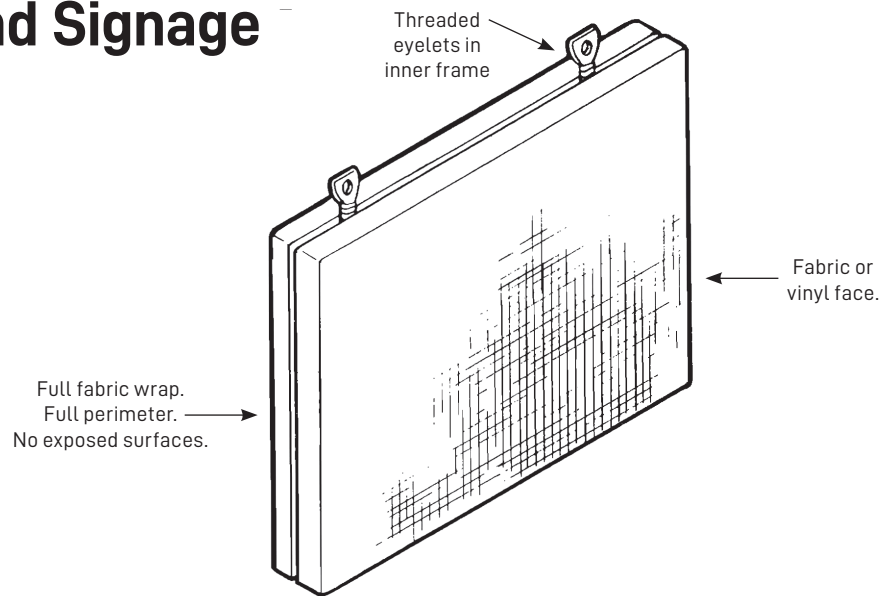
All baffles have hidden inner extruded aluminum perimeter frame.

Allows for large baffle design because of aluminum strength. Also allows eyelet threading into any point on full edge perimeter for easy installation.

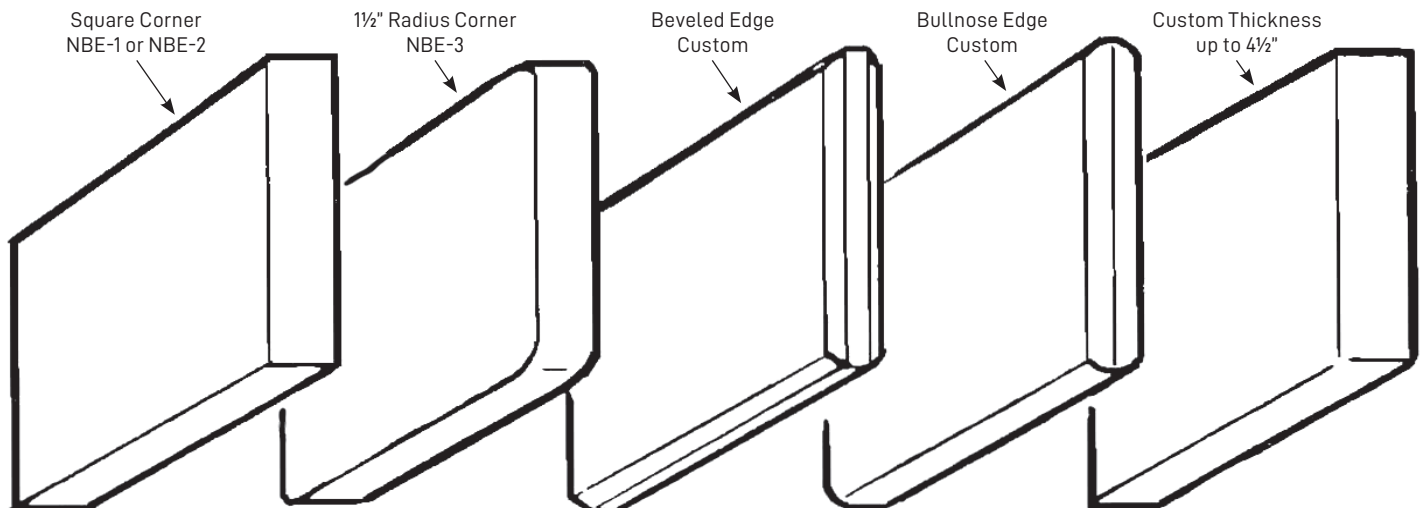
TRIM As specified.

Full Fabric, Wood trim*, Custom trim*

*Easily attached to inner frame.



Signage Baffles

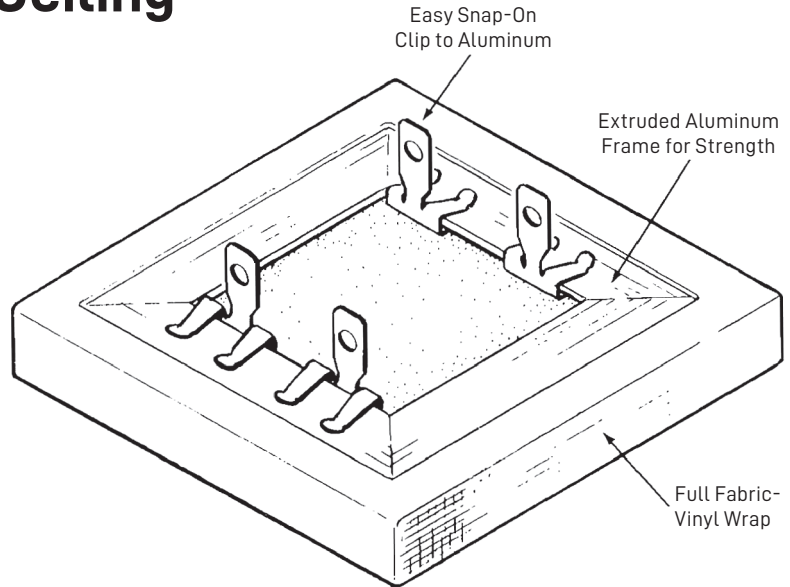


SPACE DIVIDERS AND CEILING BAFFLES

Horizontal Acoustic Ceiling Absorber Panels

EDGE CONDITIONS available in square, beveled, bullnose or custom.

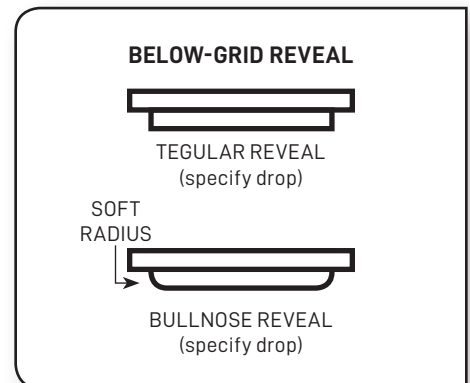
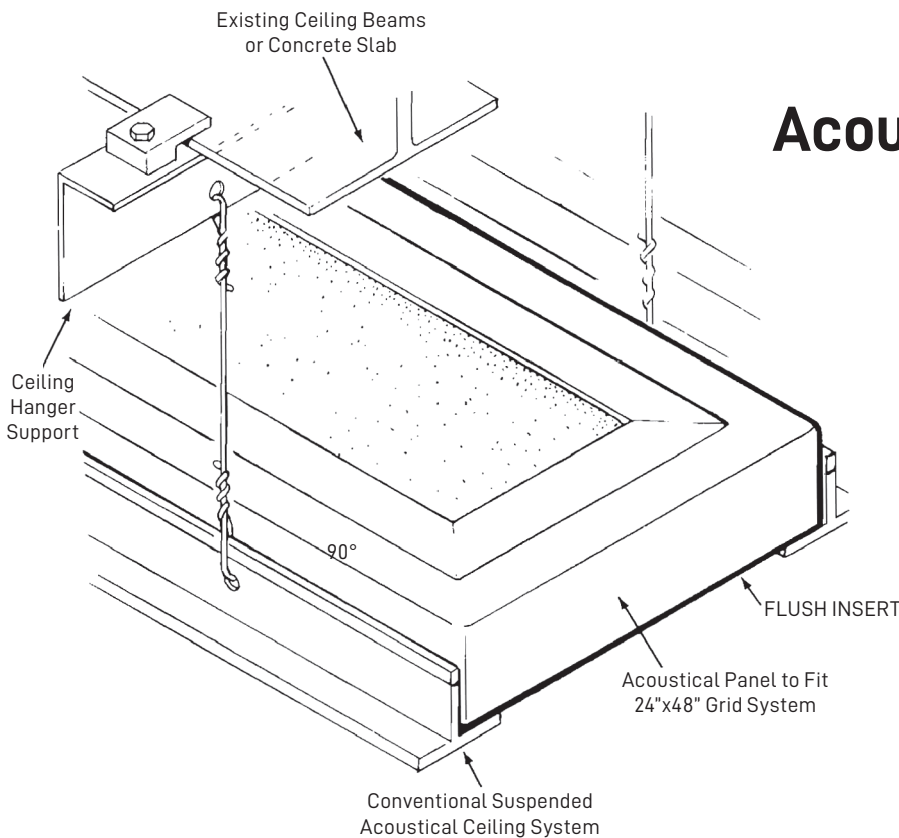
THICKNESSES AVAILABLE 1¼", 2¼" and custom.



Suspended Ceiling Fabric-Wrapped Acoustical Panel Inserts WITH HARDENED EDGE

SIZES AVAILABLE 2"x2", 2"x4", 4"x4" and custom.

THICKNESSES AVAILABLE 1", 2" or custom.



MPC Product Specifications

PART 1 — MANUFACTURER

1.1 Material shall be supplied by MPC, Inc.,
5350 Tradex Parkway, Cleveland, OH 44102
(216) 334-1200 // www.mpcsilentwall.com

PART 2 — PRODUCTS

2.1 SILENT WALL ACOUSTICAL PANELS

Select model, Core Type, Corner Shape

Model	Thickness	Edge
<input type="checkbox"/> SW50	½"	Square
<input type="checkbox"/> SW75	¾"	Square
<input type="checkbox"/> SW100	1¼"	Square
<input type="checkbox"/> SW500	1¼"	Bullnose
<input type="checkbox"/> SW600	1¼"	Beveled
<input type="checkbox"/> SW200	2¼"	Square
<input type="checkbox"/> SWC	Custom	Custom

For Acoustical/Tackable add "CT2" to model number.

2.2 TACKBOARDS/BULLETIN BOARDS

Select model, Core Type, Corner Shape

Model	Thickness	Edge
<input type="checkbox"/> TB50	¼"	Square
<input type="checkbox"/> TB300	¾"	Square
<input type="checkbox"/> TB500	¾"	Bullnose
<input type="checkbox"/> TB600	¾"	Beveled
<input type="checkbox"/> TBC	Custom: Call MPC for options	

2.3 ACOUSTICAL BAFFLES

Select model, Corner Shape. All models use Core type CT1.

Model	Thickness	Edge
<input type="checkbox"/> NBE1	1½"	Square
<input type="checkbox"/> NBE2	2"	Square
<input type="checkbox"/> B100	1½"	Square
<input type="checkbox"/> B500	2½"	Square
<input type="checkbox"/> HF	Horizontal floats use SW models with eyelets	
<input type="checkbox"/> BC	Custom: Call MPC for options	

2.4 QUIETILE CEILING INSERTS

Custom: Call MPC for options

2.5 PARTITION INSERTS

Custom: Call MPC for options

2.6 CORE TYPE

- CT1 6 lb./cu. Ft. semi-rigid fiberglass
- CT2 Acoustical/tackable core
- CT3 1/8" High Impact Core Overlays
- CT4 Tackable Mineral Board Core
- CTFR Fire Rated Tackable Mineral Board Core
- CMC Custom: Call MPC for options

2.7 EDGE TYPE

- SQ Square
 - BN Bullnose
 - BV Beveled
 - CH Chamfered
 - EXWF Exterior Wood Frame/Trim
 - EXFC Exterior Frame Custom
- See DWG.

2.8 CORNER SHAPES

- CSSQ Square
- CSR 1½" Radius
- CSC Custom: Call MPC for options

2.9 **INNER FRAMES:** Shall be extruded 6063-T5 aluminum alloy, mechanically secured in corners with steel clip assembly.

2.10 **DECORATIVE SURFACE MATERIAL:** Shall be stretched free of wrinkles and sags; bonded only to edges and back of panel inner frame; free of adhesive or other foreign matter.

2.11 Panel shall be wrapped in manufacturer's standard fire rated 100% polyester, Micro-perforated Vinyl or Customer's Own Fabric as specified.

2.12 **EDGES:** Shall be square and parallel and finished to within ± 1/16" of given dimension.

2.13 **CORNERS:** Edges of fabric at Square Corners shall be tailored and thermally fused to prevent unravelling or gaps. Edges of fabric at Radius Corners shall not show seams or gathering of material.

2.14 **PATTERNS:** Directional or matched design fabrics shall be plumb and straight with panel to match wall elevations on the architect's drawings.

2.15 **PANEL SIZES:** Standard sizes range from 6"x6" to 60"x144" in 1/16" increments. Larger sizes and custom shapes are available: call MPC to review requirements.

Panel Size: _____ x _____ or shaped per Drawing _____ showing required MPC product.

PART 3 — FIRE RATINGS

3.1 Panel core and face material shall have a class "A" Flame Spread Rating per ASTM E-84 Surface Burning Characteristics test.

3.2 Standard test is used solely to measure and describe the properties of products in response to heat and flame in controlled laboratory conditions.

3.3 The numerical Flame Spread Rating is not intended to reflect hazards presented by this or any other material.

3.4 Tackable Panel Core is available with Class "A" Fire-rating. Specify as CTFR-Fire Rated Tackable Mineral Board Core.

3.5 Test Data for non-standard fabric materials or special core materials shall be furnished by their suppliers to MPC, Inc. for submittal, review and approval by the contractor and architect.

PART 4 — ACOUSTICAL DATA

4.1 Acoustical panels shall have a minimum Noise Reduction Coefficient (NRC) value of 0.75 to 1.00.

4.2 Test results shall be from an independent national recognized laboratory; products shall be tested in accordance with ASTM C423-66.

4.3 All test data shall be available upon request and/or furnished with submittals as specified.

PART 5 — INSTALLATION

5.1 All products shall be furnished factory finished and ready for installation.

5.2 Panels shall be protective wrapped at the factory and crated for shipment. Panels shall be stored at the job site in a dry, protected area until installation.

5.3 Installation shall not occur until all wet work is done and a temperature of 60 to 80 degrees F is being maintained with normal humidity range.

5.4 For occupied facilities, installation can take place during normal business hours with little, if any, disruption to normal activities.

5.5 ATTACHMENT METHODS

Call MPC to determine optimum mounting method(s) before specifying

- AM1 Z-Clip Kit
- AM2 Z-Clip Top/Velcro Tab Bottom
- AM3 Magnetic Tape
- AM4 Magnetic Tape w/"L" Clips
- AM5 "L" Support Clip Kit
- AM6 Velcro Kit
- AM7 Velcro Kit w/"L" Clips
- AM8 Vertical Threaded Baffle Eyelets
- AM9 Horizontal Baffle Eyelet Kit
- AMC Custom: Call MPC for option

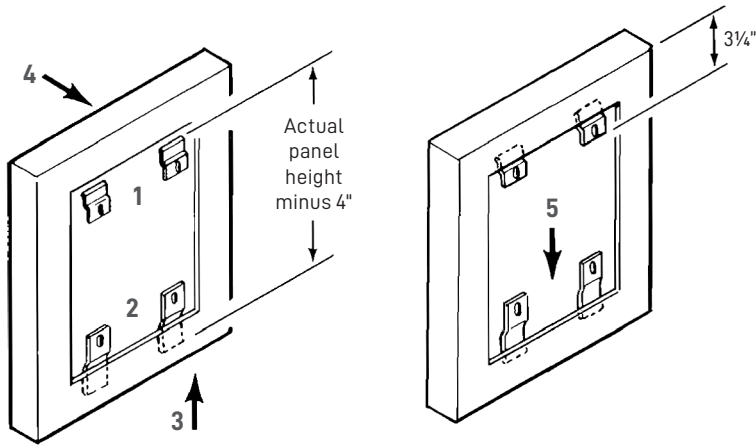
PART 6 — WARRANTY

6.1 All product workmanship and materials shall be guaranteed free of defects by the manufacturer for a period of one year from the date of delivery.

All specifications are subject to change by the manufacturer without notice. Call MPC for Product Samples

INSTALLATION METHODS

Wall Panels



CLIP KIT

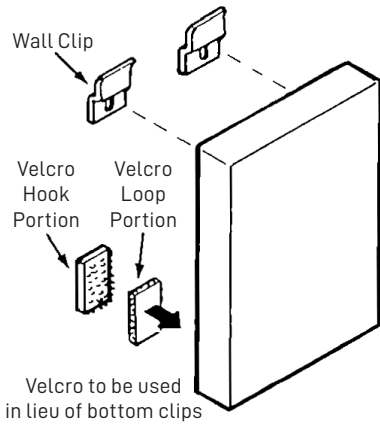
OPERATION #1 Attach top clips (small lip) to wall. Bottom of clip should be $3\frac{1}{4}$ " from desired panel top.

OPERATION #2 Locate and attach bottom clips (large lip). Distance between clips is equal to the actual panel height minus 4".

OPERATION #3 Set panel in place holding bottom of panel tight against wall, then slide panel up to engage the bottom clips. Hold top of panel slightly away from wall until panel frame has cleared the top clip.

OPERATION #4 Push top of panel tight against wall.

OPERATION #5 Grab top of panel and slide panel down gently until fully engaged into top clip.



CLIP/VELCRO KIT

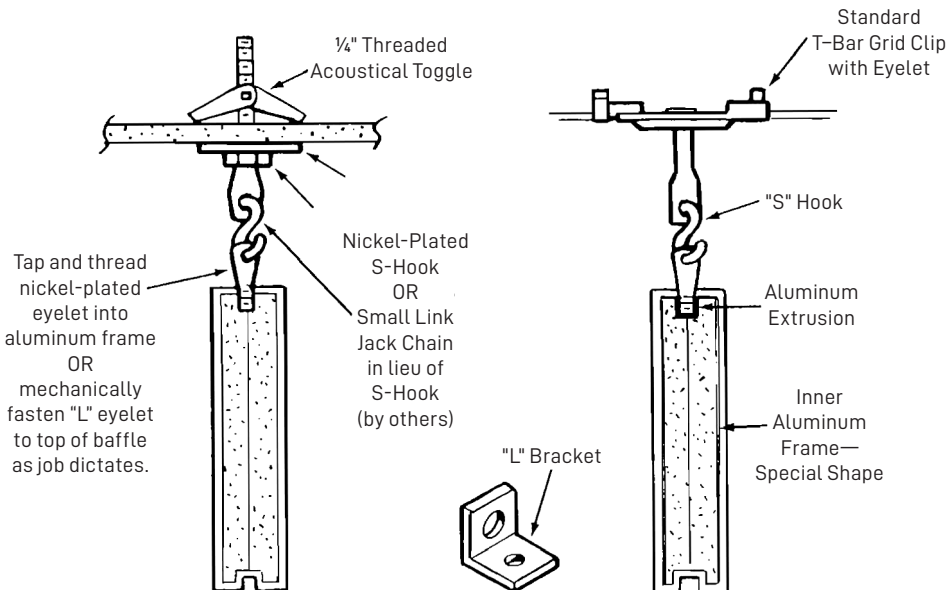
Mount top clips to the wall with screws. Bottom of the clip should be located $3\frac{1}{4}$ " from desired panel top. Lift panel vertically at a slight angle over projecting tab on top clip. Hold top of panel slightly away from the wall until panel frame has cleared top clip.

Push panel flush against the wall and slide down gently into recess until top clip engages panel frame. Align top of panel horizontally prior to removing white backing tape from the Velcro strips at the bottom corners of the panel. Press bottom corners securely against the wall to insure a positive and square installation.

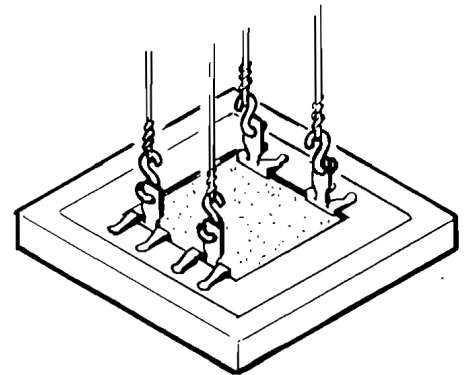
OTHER METHODS OF INSTALLING WALL PANELS

1. Adhesive—Use commercial grade construction adhesive as required.
2. Magnetic tape or magnetic disc for application to steel PTN, or tile cabinets.
3. Special locking clip for public area security.

Vertical/Horizontal Baffles



HORIZONTAL BAFFLE SNAP-ON EYELETS



BAFFLE HANGING KIT

1. Threaded or mechanically fastened eyelets as job dictates.
2. T-bar ceiling grid clip.